



Honeywell

DESCRIPTION

Used with HVAC control systems to control building ventilation, the **Honeywell Model C7232 Carbon Dioxide Sensor** measures CO₂ concentration in a ventilated space or duct. These easy-to-install sensors provide long term CO₂ monitoring at a low cost, and they are compact in size with selectable ranges. They have an analog and relay output, use non-dispersive infrared (NDIR) technology, and feature a unique corrosion-free sensing chamber for accurate, stable CO₂ sensing. Models are available for wall and duct-mount applications, with or without an LCD display, and with or without the Honeywell logo.



C7232A



C7232B

FEATURES

- Available with LCD to provide sensor readings and status information
- NDIR technology to measure carbon dioxide gas
- Gold-plated sensor for long-term calibration stability
- Analog and relay outputs based on CO₂ levels
- Automatic Background Calibration (ABC) algorithm based on long-term evaluation to reduce required maintenance



7

GAS & SPECIALTY SENSORS

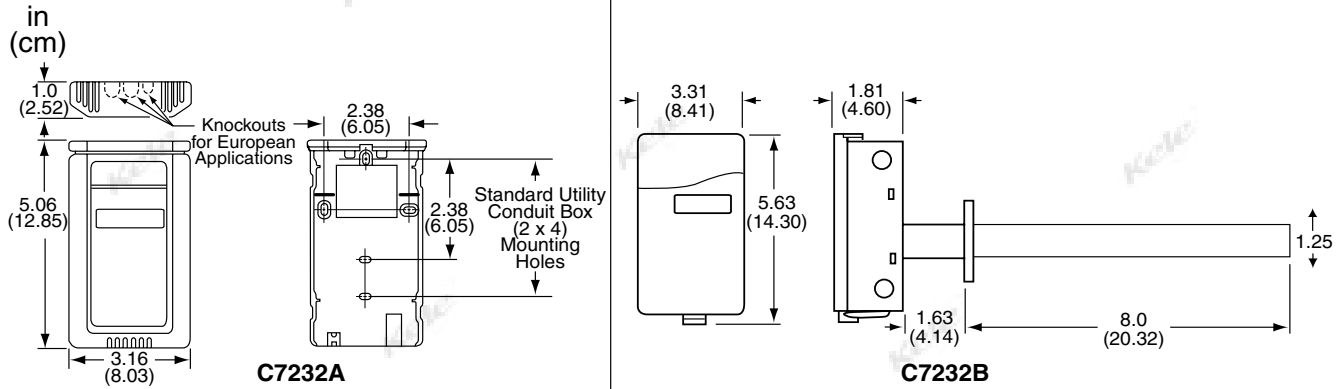
SPECIFICATIONS			
Supply Voltage	24 VAC ±20% @ 3 VA, 50/60 Hz; 24 VDCAC ±20% @ 125 mA	Wiring Terminations	20 AWG, 8" cable, 20 AWG, 6" cable
Accuracy	±30 ppm + 2% of reading	Operating Temperature	32° to 122°F (0° to 50°C)
Signal Output	0/2-10 VDC @ 5kΩ, 0/ 4-20 mA @ 500Ω, (jumper selectable)	Operating Humidity	0% to 95% RH noncondensing
Pressure Dependence	1.4% change in reading per 0.15 psig (1.0 kPa) deviation from 14.5 psig (1000 kPa)	Enclosure Rating	
Measurement Range	0-2000 ppm ±5% and ±50 ppm	Wall	NEMA 1
Calibration Interval	Five years	Duct	NEMA 3 Flammability rating UL95-5V
Response Time	2 minutes	Weight	
Display	4-Digit LCD	Wall	0.4 lb (0.18 Kg)
Relay Output	Shipped N.O., close at 800 ppm (selectable) Contact rating: 1A @ 50 VAC/24 VDC Minimum load: 1mA @ 5 VDC, SPST, (100 ppm DIF)	Duct	1.6 lb (0.45 Kg)
		Approvals	UL File # E4436, CE
		Warranty	1 year



GAS & SPECIALTY SENSORS

CARBON DIOXIDE SENSOR C7232

DIMENSIONS

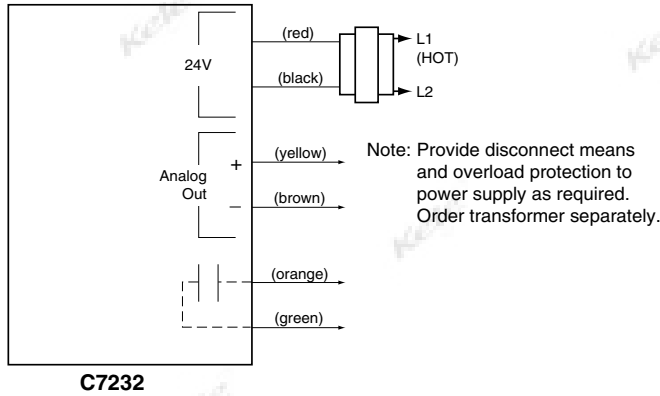


C7232A

C7232B

7

WIRING



C7232

WIRE COLOR	DESIGNATION	FUNCTION
Red	G+	24 VAC Hot
Black	G0	24 VAC Common
Yellow	OUT1	Analog Output Signal
Brown	M	Analog Output Common
Orange	NO	Relay Output Normally Open
Green	COM	Relay Output Common

INSTALLATION

The wall-mount **C7232A** must be installed in a ventilated place where it will not be affected directly by air from ducts, drafts, or in dead spots behind doors or in corners.

The duct-mount **C7232B** mounts to the outside of the air duct, and its sampling tube installs through a 1" (2.54 cm) hole. Leakage into the duct or the sensor box will skew the sensor readings, so the box cover and duct must be completely sealed.

ORDERING INFORMATION

MODEL	DESCRIPTION
C7232A1008	Wall-mount CO ₂ sensor, analog and relay output, LCD display
C7232A1016	Wall-mount CO ₂ sensor, analog and relay output
C7232A1032	Wall-mount CO ₂ sensor, analog and relay output, no logo
C7232B1006	Duct-mount CO ₂ sensor, analog and relay output, LCD display
C7232B1014	Duct-mount CO ₂ sensor, analog and relay output
C7232B1030	Duct-mount CO ₂ sensor, analog and relay output, no logo

ACCESSORIES

691-K0A	Control transformer, 120:24 VAC, 40 VA, Class 2
----------------	---